

# PARTS LIST

[ KS-FX722R ]

\* All printed circuit boards and its assemblies are not available as service parts.

Area suffix

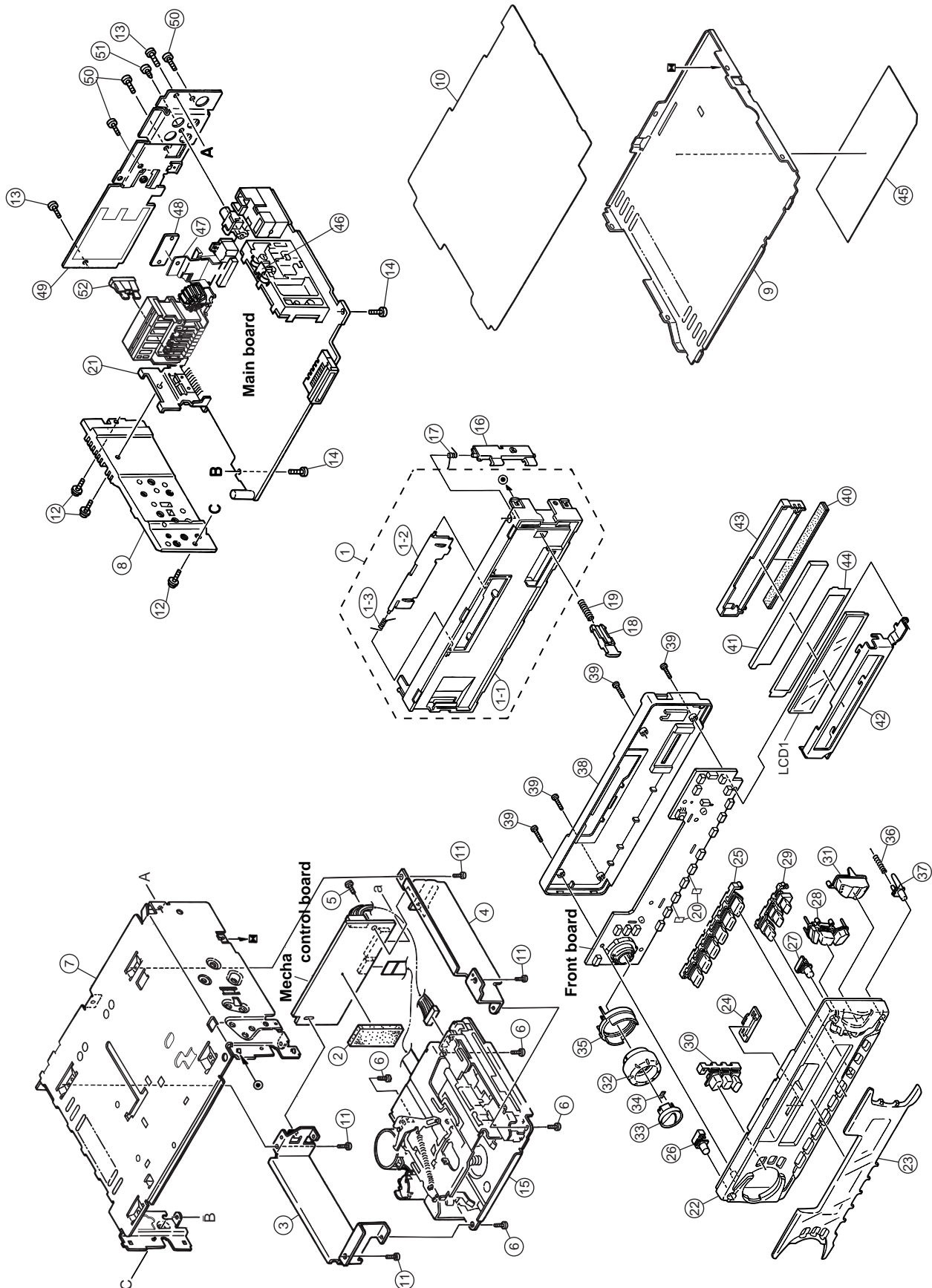
E ----- Continental Europe

## - Contents -

Exploded view of general assembly and parts list .....	3- 2
Cassette mechanism assembly and parts list .....	3- 5
Electrical parts list .....	3-10
Packing materials and accessories parts list .....	3-14

# Exploded view of general assembly and parts list

Block No. M 1 M M



**Parts list (General assembly)**

Block No. M1MM

△	Item	Parts number	Parts name	Q'ty	Description	Area
	1	ZCKSFX250J-FB	FRONT ASS'Y	1		
	1-1	FSJC1052-002	FRONT CHASSIS	1		
	1-2	FSJC3014-003	CASSETTE LID	1	CH-CONTROL	
	1-3	VKW4947-002	DOOR SPRING	1		
	2	FSYH4036-050	SHEET	1		
	3	FSKL2001-002	MECHA BRACKET(L)	1	LEFT BRACKET	
	4	FSKL2002-001	MECHA BRACKET(R)	1	RIGHT BRACKET	
	5	QYSDST2606Z	SCREW	1	PCB+MECHA	
	6	QYSDST2606Z	SCREW	4	MECHA+M.BRACKET	
	7	FSJC1056-002	TOP CHASSIS	1		
	8	FSMH3001-002	SIDE PANEL	1		
	9	FSKM3011-002	BOTTOM COVER	1		
	10	FSMA3004-003	INSULATOR	1		
	11	QYSDST2604Z	SCREW	4	CHASSIS+MECHA BKT	
	12	FSKZ4005-001	SCREW	3		
	13	QYSDST2604Z	SCREW	2	CHASSIS+REAR BKT	
	14	QYSDST2606Z	SCREW	2	CHASSIS+MAIN PWB	
	15	-----	CASSETTE MECHA	1	CDS-801	
	16	FSKS3010-001	LOCK LEVER	1		
	17	FSKW4005-003	TORSION SPRING	1		
	18	FSXP3026-002	RLS KNOB	1		
	19	FSKW3002-004	COMP.SPRING	1		
	20	FSYH4036-069	SHEET	2	PRESET BUTTON	
	21	FSKL4018-00B	IC BRACKET	1		
	22	GE10001-001A	FRONT PANLL	1		
	23	GE30101-005A	FINDER ASSY	1		
	24	FSJK3014-001	LIGHT LENS	1		
	25	GE20104-001B	PRESET BUTTON	1	1-6	
	26	GE30105-002A	POWER BUTTON	1		
	27	GE30109-002A	EJECT BUTTON	1		
	28	GE20110-001C	D.FUNC BUTTON	1	TAPE/TUNER/CD-CH	
	29	GE30106-001A	SND FUNC BUTTON	1		
	30	GE20103-001A	PUSH BUTTON(3)	1		
	31	GE20109-001C	UP/DOWN BUTTON	1		
	32	GE30103-001B	KNOB	1	JOG DIAL	
	33	GE30102-002A	SEL BUTTON	1		
	34	FSYH4036-032	SHEET	1	FOR SEL BUTTON	
	35	GE30104-001A	RIM LENS	1		
	36	FSXP3055-001	DETACH BUTTON	1		
	37	FSKW3002-012	COMP. SPRING	1	FOR DETACH BUTTON	
	38	GE10002-001A	REAR COVER	1		
	39	VKZ4777-001	MINI SCREW	4	F.PANEL+REAR COVER	
	40	QNZ0440-001	RUBBER CONNECTOR	1		
	41	FSJK3033-001	LCD LENS	1		
	42	GE30110-001A	LCD CASE	1		
	43	FSKS3020-002	LENS CASE	1		
	44	FSYH4075-002	SHEET	1		
	45	GE30140-002A	NAME PLATE	1		

**■ Parts list (General assembly)**

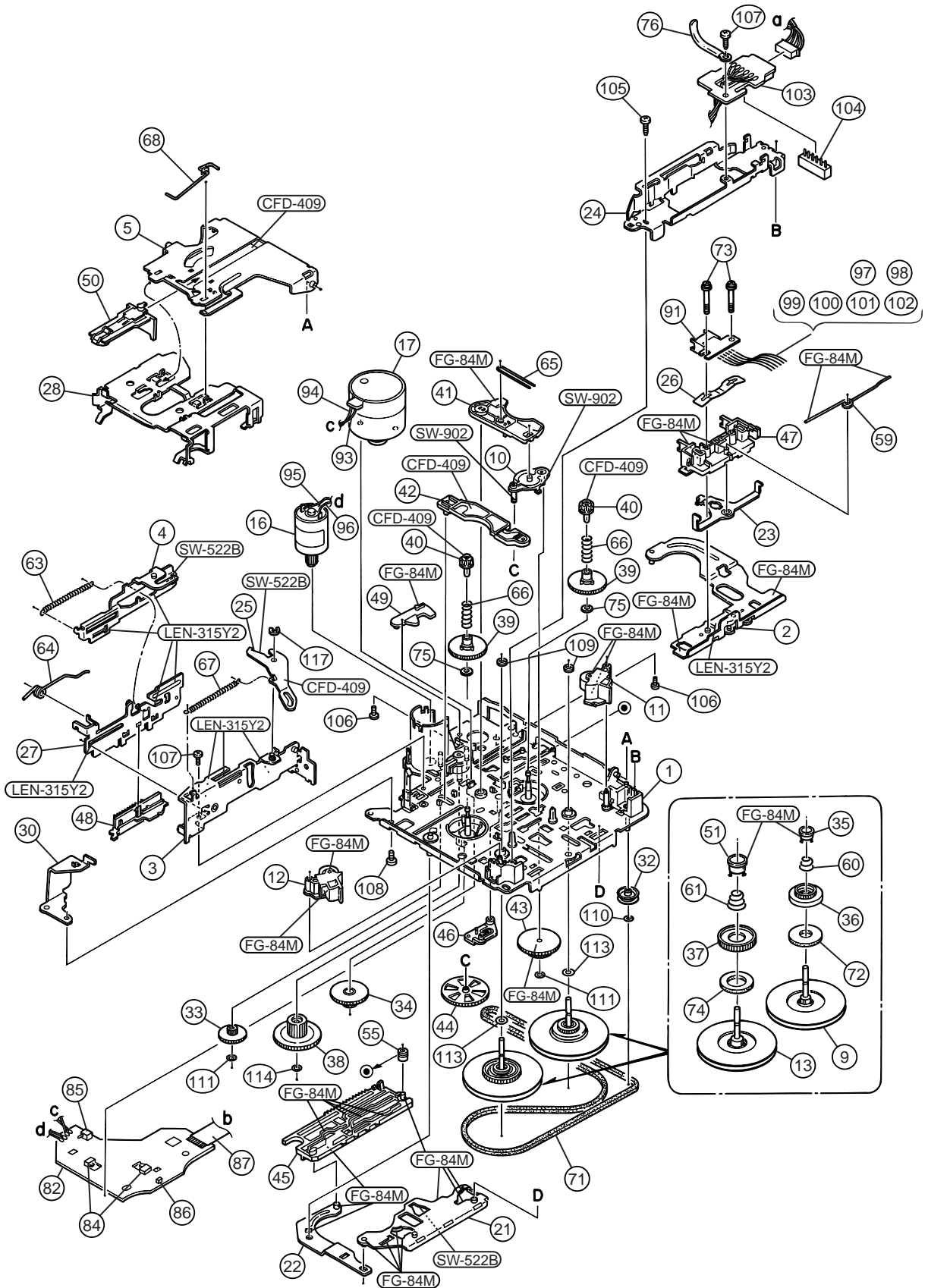
Block No. M1MM

⚠	Item	Parts number	Parts name	Q'ty	Description	Area
	46	VMA4652-001SS	EARTH PLATE	1		
	47	GE40103-001A	REG BRACKET	1		
	48	GE40104-002B	HEAT SINK	1		
	49	FSKM3012-011	REAR BRACKET	1	WITH 10A LABEL	
	50	QYSDST2606Z	SCREW	3		
	51	QYSDSF3006Z	SCREW	1	PIN	
⚠	52	QMFZ047-100-T	FUSE	1		
	LCD 1	QLD0158-001	LCD	1		

# Cassette mechanism assembly and parts list

CDS-801

Block No. M 2 M M



## ■ Parts list (Cassette mechanism)

Block No. M2MM

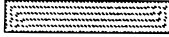

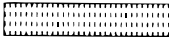
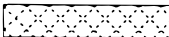

△	Item	Parts number	Parts name	Q'ty	Description	Area
	1	X-0801-1003S	MAIN CHASSIS AS	1		
	2	X-0801-1002S	SLIDE CHASSIS A	1		
	3	X-0801-1008S	SIDE BKT ASS'Y	1		
	4	X-0801-1010S	EJECT CAM LIMIT	1		
	5	X-0801-1013S	CASSETTE HANGER	1		
	9	1-0801-6002S	FLYWHEEL ASSY F	1		
	10	X-0801-2003S	GEAR BASE ASS'Y	1		
	11	X-0801-2021S	PINCH ARM F ASS	1		
	12	X-0801-2022S	PINCH ARM R ASS	1		
	13	1-0801-6003S	FLYWHEEL ASSY R	1		
	16	X-0801-7006S	SUB MOTOR ASS'Y	1		
	17	X-0801-7057S	MAIN MOTOR ASSY	1		
	21	1-0801-1003S	DIRECTION PLATE	1		
	22	1-0801-1004S	DIRECTION LINK	1		
	23	1-0801-1005S	PINCH SPG ARM	1		
	24	1-0801-1006S	CASSETTE GUIDE	1		
	25	1-0801-1007S	LOAD ARM	1		
	26	1-0801-1009S	HEAD SUPT SPG	1		
	27	1-0801-1011S	EJECT CAM PLATE	1		
	28	1-0801-1012S	CASSETTE HOLDER	1		
	30	1-0801-1020S	REINFORCE BRKT	1		
	32	1-0101-2056S	IDLE PULLEY(A1)	1		
	33	1-0801-2004S	REDUCTION GEARA	1		
	34	1-0801-2005S	REDUCTION GEARB	1		
	35	1-0801-2006S	SPG HOLDER F	1		
	36	1-0801-2007S	FRICTION GEARPL	1		
	37	1-0801-2008S	FRICTION GEARFF	1		
	38	1-0801-2009S	MODE GEAR	1		
	39	1-0801-2010S	REEL SPINDLE	2		
	40	1-0801-2011S	REEL DRIVER	2		
	41	1-0801-2014S	GEAR BASE ARM	1		
	42	1-0801-2015S	GEAR BASE LINK	1		
	43	1-0801-2016S	TAKE UP GEAR	1		
	44	1-0801-2017S	REFLECTOR GEAR	1		
	45	1-0801-2018S	MODE RACK	1		
	46	1-0801-2019S	MODE SW ACTUATR	1		
	47	1-0801-2020S	TAPE GUIDE	1		
	48	1-0801-2023S	LOAD RACK	1		
	49	1-0801-2024S	RACK LINK	1		
	50	1-0801-2025S	CASSETTE CATCH	1		
	51	1-0801-2030S	SPG HOLDER R	1		
	55	1-0801-3005S	RACK COLLAR	1		
	59	1-0801-4001S	PINCH ARM SPG	1		
	60	1-0801-4002S	TU SPG	1		
	61	1-0801-4003S	FF SPG	1		
	63	1-0801-4005S	EJECTCAM PLT SP	1		
	64	1-0801-4006S	HOLDER CUSH SPG	1		
	65	1-0801-4007S	GEAR BASE SPG	1		

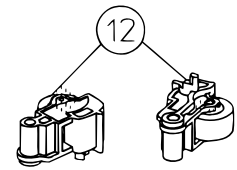
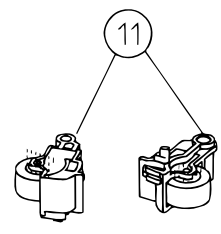
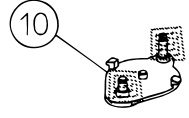
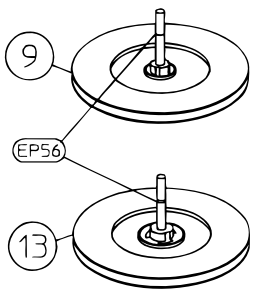
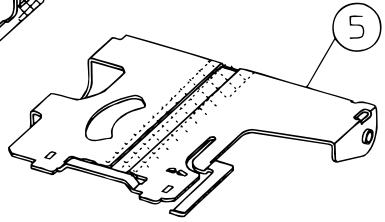
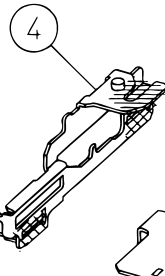
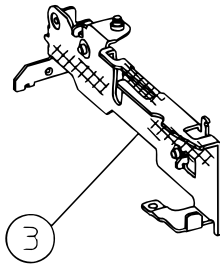
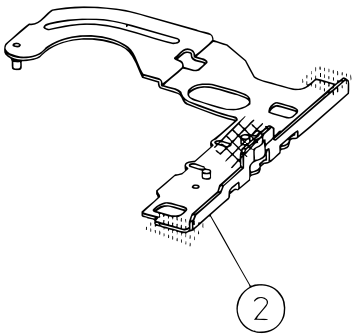
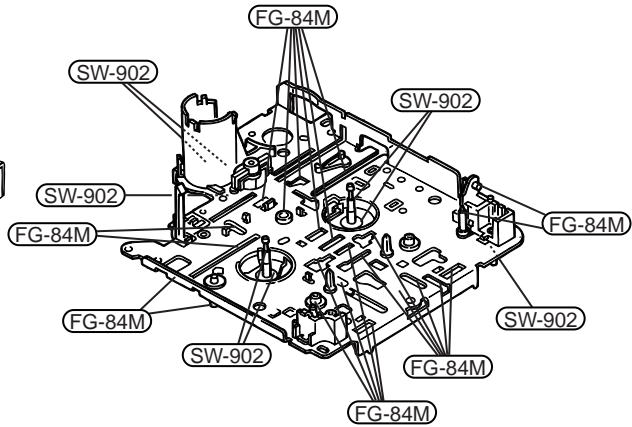
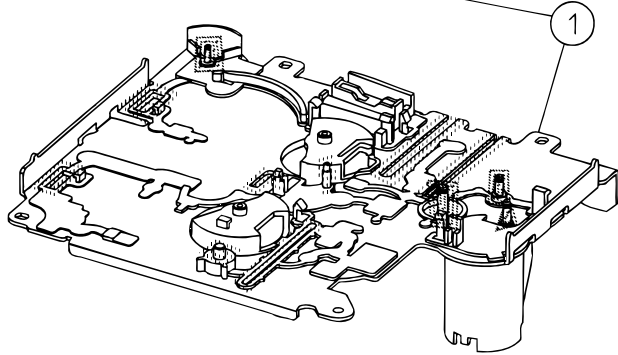
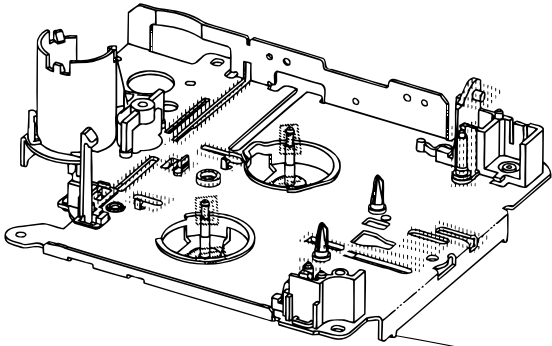
**Parts list (Cassette mechanism)**

Block No. M2MM

△	Item	Parts number	Parts name	Q'ty	Description	Area
	66	1-0801-4008S	REEL DRIVER SPG	2		
	67	1-0801-4009S	LOAD ARM SPG	1		
	68	1-0801-4011S	HOLDER STAB SPG	1		
	71	1-0801-5001S	BELT	1		
	72	1-0801-5002S	FELT	1	7.5*18.5*1.0	
	73	1-0801-5003S	AZIMUTH SCR	2		
	74	1-0801-5004S	FELT	1	11*18.5*1.0	
	75	1-0801-5005S	REEL WASHER	2		
	76	21732-6280-36S	LUG PLATE	1		
	82	1-0801-7001S	REEL PCB DL	1		
	84	1-0801-7003S	SW(MATSUSHITA)	2	(ESE22MH2L)	
	85	1-0801-7005S	SW	1	(ALPS SPPB64)	
	86	1-0801-7024S	PHOTO SENSOR	1	(ON2170-QR FS)	
	87	1-0801-7026S	FLAT CABLE 10P	1		
	91	1-0801-7014S	HEAD	1	(MITSUMIP-5544)	
	93	10801-7009-0S	M.MOTOR WIRE	1	BLACK	
	94	10801-7009-1S	M.MOTOR WIRE	1	RED	
	95	10801-7010-0S	S.MOTOR WIRE	1	ORANGE	
	96	10801-7010-1S	S.MOTOR WIRE	1	BROWN	
	97	10801-7015-0S	HEAD WIRE BLACK	1		
	98	10801-7015-1S	HEAD WIRE BROWN	1		
	99	10801-7015-2S	HEAD WIRE RED	1		
	100	10801-7015-3S	HEAD WIRE ORANG	1		
	101	10801-7015-4S	HEAD WIRE YELLO	1		
	102	10801-7015-5S	HEAD WIRE WHITE	1		
	103	1-0801-7016S	HEAD PCB	1		
	104	1-0801-7025S	CONN S6B-PH-K-S	1		
	105	21382-3060-C2S	+PLAIN B-TYPE	1	M2.3*6.0	
	106	2-1032-0025-C2S	+SCREW PLAIN	2	M2*2.5	
	107	21332-0035-P1S	S-TYPE PRECISIO	2	M2*3.5	
	108	21112-6035-C2S	+SCREW PLAIN	1	M2.6*3.5	
	109	2-1816-0032-E8S	LMW-S	2	1.6*3.2*0.35	
	110	21812-0032-D2S	PSW-S	1	1.2*3.2*0.25	
	111	1-0036-5024S	PSW-S(REEL B)	2	1.5*3.2*0.25	
	113	2-1821-0040-D1S	PSW	2	2.1*4.0*0.25	
	114	21821-0040-D2S	PSW-S	1	2.1*4.0*0.25	
	117	2-1711-5040-16S	E-RING	1	1.5	

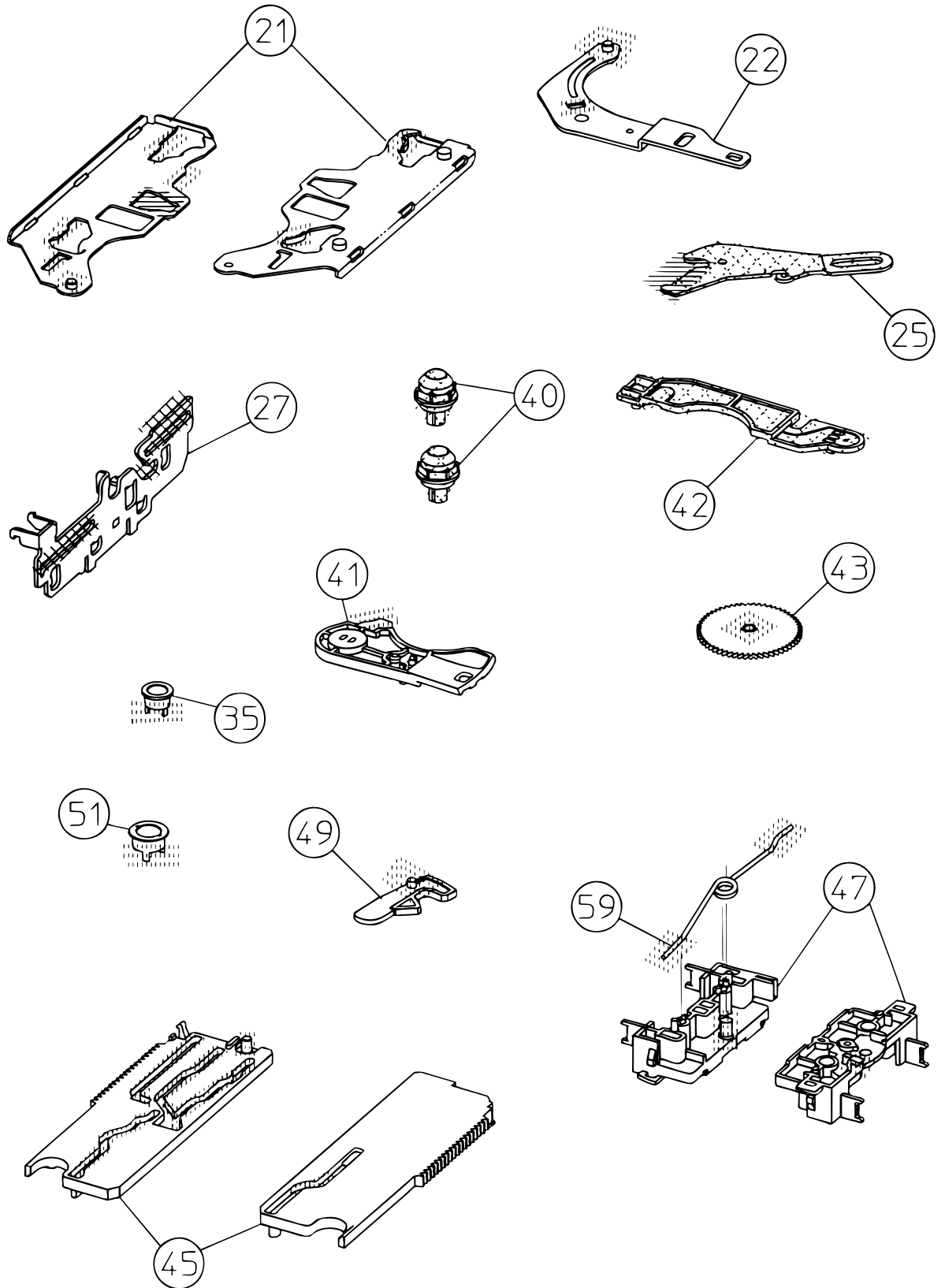
# Grease point 1/2

	SW-902
	SW-522B
	FG-84M
	CFD-409
	LEN-315Y2





# Grease point 2/2



■ Electrical parts list (Main board)

Block No. 01

△	Item	Parts number	Parts name	Remarks	Area
	C 1	QERF1HM-104Z	E CAPACITOR	0.1MF 20% 50V	
	C 6	NCB31EK-563X	C CAPACITOR		
	C 7	NCB31EK-123X	C CAPACITOR		
	C 9	QERF1CM-107Z	E CAPACITOR	100MF 20% 16V	
	C 17	NCS31HJ-151X	C CAPACITOR		
	C 18	QERF1HM-224Z	E CAPACITOR	0.22MF 20% 50V	
	C 20	NCS31EJ-102X	C CAPACITOR		
	C 21	QEZF1HM-225Z	E CAPACITOR	2.2MF 20% 50V	
	C 24	NCB31EK-473X	C CAPACITOR		
	C 25	NCB31EK-104X	C CAPACITOR		
	C 29	NDC31HJ-100X	C CAPACITOR		
	C 30	NDC31HJ-470X	C CAPACITOR		
	C 31	NCS31HJ-101X	C CAPACITOR		
	C 111	QERF1HM-225Z	E CAPACITOR	2.2MF 20% 50V	
	C 112	QERF1HM-105Z	E CAPACITOR	1.0MF 20% 50V	
	C 113	QFLA1HJ-822Z	M CAPACITOR	8200PF 5% 50V	
	C 114	QFV61HJ-154Z	MF CAPACITOR	0.15MF 5% 50V	
	C 115	QERF1HM-224Z	E CAPACITOR	0.22MF 20% 50V	
	C 116	QFV61HJ-333Z	MF CAPACITOR	0.033MF 5% 50V	
	C 117	QFLA1HJ-562Z	M CAPACITOR	5600PF 5% 50V	
	C 118	QERF1HM-105Z	E CAPACITOR	1.0MF 20% 50V	
	C 119	QERF1HM-105Z	E CAPACITOR	1.0MF 20% 50V	
	C 143	NCS31HJ-471X	C CAPACITOR		
	C 144	NCS31HJ-471X	C CAPACITOR		
	C 151	QERF1HM-105Z	E CAPACITOR	1.0MF 20% 50V	
	C 152	NCB31HK-122X	C CAPACITOR		
	C 153	QERF1HM-105Z	E CAPACITOR	1.0MF 20% 50V	
	C 154	NCB31HK-153X	C CAPACITOR		
	C 211	QERF1HM-225Z	E CAPACITOR	2.2MF 20% 50V	
	C 212	QERF1HM-105Z	E CAPACITOR	1.0MF 20% 50V	
	C 213	QFLA1HJ-822Z	M CAPACITOR	8200PF 5% 50V	
	C 214	QFV61HJ-154Z	MF CAPACITOR	0.15MF 5% 50V	
	C 215	QERF1HM-224Z	E CAPACITOR	0.22MF 20% 50V	
	C 216	QFV61HJ-333Z	MF CAPACITOR	0.033MF 5% 50V	
	C 217	QFLA1HJ-562Z	M CAPACITOR	5600PF 5% 50V	
	C 218	QERF1HM-105Z	E CAPACITOR	1.0MF 20% 50V	
	C 219	QERF1HM-105Z	E CAPACITOR	1.0MF 20% 50V	
	C 243	NCS31HJ-471X	C CAPACITOR		
	C 244	NCS31HJ-471X	C CAPACITOR		
	C 245	NCB31EK-104X	C CAPACITOR		
	C 246	QERF1AM-476Z	E CAPACITOR	47MF 20% 10V	
	C 247	NCB31EK-104X	C CAPACITOR		
	C 251	QERF1HM-105Z	E CAPACITOR	1.0MF 20% 50V	
	C 252	NCB31HK-122X	C CAPACITOR		
	C 253	QERF1HM-105Z	E CAPACITOR	1.0MF 20% 50V	
	C 254	NCB31HK-153X	C CAPACITOR		
	C 301	NCB31HK-331X	C CAPACITOR		
	C 302	NCB31HK-103X	C CAPACITOR		
	C 303	NCB31EK-472X	C CAPACITOR		
	C 304	NCB31EK-104X	C CAPACITOR		
	C 305	QERF1HM-474Z	E CAPACITOR	0.47MF 20% 50V	
	C 701	NDC31HJ-270X	C CAPACITOR		
	C 702	NDC31HJ-270X	C CAPACITOR		
	C 703	NCB31EK-104X	C CAPACITOR		
	C 704	NCB31EK-104X	C CAPACITOR		
	C 705	NCB31HK-102X	C CAPACITOR		
	C 707	NCB31EK-104X	C CAPACITOR		
	C 708	QERF1AM-227Z	E CAPACITOR	220MF 20% 10V	
	C 709	QERF0JM-107Z	E CAPACITOR	100MF 20% 6.3V	
	C 711	NCB31AK-224X	C CAPACITOR		
	C 712	NCB31EK-104X	C CAPACITOR		
	C 713	NCS31HJ-121X	C CAPACITOR		
	C 751	NCB31EK-104X	C CAPACITOR		

△	Item	Parts number	Parts name	Remarks	Area
	C 761	NCB31EK-223X	C CAPACITOR		
	C 762	NCS31HJ-561X	C CAPACITOR		
	C 763	QERF1HM-225Z	E CAPACITOR	2.2MF 20% 50V	
	C 764	NDC31HJ-820X	C CAPACITOR		
	C 765	NDC31HJ-470X	C CAPACITOR		
	C 766	QERF1CM-476Z	E CAPACITOR	47MF 20% 16V	
	C 767	NCB31HK-103X	C CAPACITOR		
	C 891	NCB31EK-104X	C CAPACITOR		
	C 901	NCB11CK-225X	C CAPACITOR		
	C 911	QERF1CM-476Z	E CAPACITOR	47MF 20% 16V	
	C 912	QERF1CM-107Z	E CAPACITOR	100MF 20% 16V	
	C 913	QERF1CM-107Z	E CAPACITOR	100MF 20% 16V	
	C 932	NCB31EK-104X	C CAPACITOR		
	C 933	NCB31EK-104X	C CAPACITOR		
	C 941	NCB31EK-104X	C CAPACITOR		
	C 942	NCB31EK-104X	C CAPACITOR		
	C 943	NCB31EK-104X	C CAPACITOR		
	C 944	NCB31EK-104X	C CAPACITOR		
	C 945	QERF1CM-106Z	E CAPACITOR	10MF 20% 16V	
	C 961	QETB1CM-228	E CAPACITOR	2200MF 20% 16V	
	C 962	QERF1CM-106Z	E CAPACITOR	10MF 20% 16V	
	C 963	QERF1HM-104Z	E CAPACITOR	0.1MF 20% 50V	
	C 964	QETN0JM-228Z	E CAPACITOR	2200MF 20% 6.3V	
	C 965	QERF1AM-227Z	E CAPACITOR	220MF 20% 10V	
	C 966	QERF1CM-107Z	E CAPACITOR	100MF 20% 16V	
	C 967	QERF1HM-105Z	E CAPACITOR	1.0MF 20% 50V	
	C 968	QERF1CM-106Z	E CAPACITOR	10MF 20% 16V	
	C 969	NCB31EK-473X	C CAPACITOR		
	C 970	NCB31EK-473X	C CAPACITOR		
	C 977	QERF0JM-107Z	E CAPACITOR	100MF 20% 6.3V	
	C 978	QERF1AM-106Z	E CAPACITOR	10MF 20% 10V	
	C 979	QERF1CM-106Z	E CAPACITOR	10MF 20% 16V	
	CJ701	VMC0334-001	CONNECTOR		
	CP501	QGB1214J1-18S	CONNECTOR		
	CP961	QNZ0112-001	CAR CONNECTOR		
	D 1	1SS119-041	SI DIODE		
	D 2	1SS119-041	SI DIODE		
	D 3	1SS355-X	DIODE		
	D 4	1SS355-X	DIODE		
	D 5	1SS119-041	SI DIODE		
	D 241	1SS119-041	SI DIODE		
	D 242	1SS119-041	SI DIODE		
	D 243	1SS355-X	DIODE		
	D 244	1SS355-X	DIODE		
	D 741	1SS119-041	SI DIODE		
	D 742	1SS119-041	SI DIODE		
	D 891	1SS355-X	DIODE		
	D 892	1SS355-X	DIODE		
	D 931	1SS355-X	DIODE		
	D 932	MA152WA-X	DIODE		
	D 933	1SS355-X	DIODE		
	D 951	1SS133-T2	SI DIODE		
	D 961	1N5401-TU-15	DIODE		
	D 963	1SS119-041	SI DIODE		
	D 965	CRS03-W	SB DIODE		
	D 966	CRS03-W	SB DIODE		
	D 977	1SS355-X	DIODE		
	D 978	MTZJ4.7C-T2	ZENER DIODE		
	D 979	1SS355-X	DIODE		
	D 981	1SS355-X	DIODE		
	D 982	1SS355-X	DIODE		
	D 983	1SS355-X	DIODE		
	IC701	UPD178018AGC584	IC		

## ■ Electrical parts list (Main board)

Block No. 01

△	Item	Parts number	Parts name	Remarks	Area	△	Item	Parts number	Parts name	Remarks	Area
	IC751	HD74HC126FP-X	IC				R 132	NRSA63J-222X	MG RESISTOR		
	IC761	SAA6579T-X	IC				R 133	NRS181J-101X	MG RESISTOR		
	IC911	TEA6320T-X	IC				R 134	NRSA02J-102X	MG RESISTOR		
	IC941	HA13158A	IC				R 135	NRSA63J-101X	MG RESISTOR		
	IC961	HA13164	IC				R 136	NRSA63J-102X	MG RESISTOR		
	J 1	QNB0100-001	CAR ANT JACK				R 141	NRSA63J-153X	MG RESISTOR		
	J 751	QNZ0095-001	CONNECTOR				R 142	NRSA63J-153X	MG RESISTOR		
	J 931	QNN0175-001	PIN JACK				R 143	NRSA63J-393X	MG RESISTOR		
	L 1	QQL231K-4R7Y	INDUCTOR				R 144	NRSA63J-393X	MG RESISTOR		
	L 701	QQL231K-470Y	INDUCTOR				R 151	NRSA63J-103X	MG RESISTOR		
	L 961	QQR0703-001	CHOKE COIL				R 152	NRSA63J-223X	MG RESISTOR		
	Q 1	DTC114EKA-X	TRANSISTOR				R 153	NRSA63J-472X	MG RESISTOR		
	Q 2	DTC114EKA-X	TRANSISTOR				R 212	NRSA63J-223X	MG RESISTOR		
	Q 3	2SC2412K/R/-X	TRANSISTOR				R 213	NRSA63J-222X	MG RESISTOR		
	Q 4	DTA114EKA-X	TRANSISTOR				R 215	NRS181J-334X	MG RESISTOR		
	Q 5	2SA1037AK/RS/-X	TRANSISTOR				R 216	NRS181J-102X	MG RESISTOR		
	Q 6	2SA1037AK/RS/-X	TRANSISTOR				R 231	NRSA02J-222X	MG RESISTOR		
	Q 7	2SC3661-X	TRANSISTOR				R 232	NRSA63J-222X	MG RESISTOR		
	Q 10	2SC3661-X	TRANSISTOR				R 233	NRSA02J-101X	MG RESISTOR		
	Q 11	2SC2412K/R/-X	TRANSISTOR				R 234	NRSA02J-102X	MG RESISTOR		
	Q 12	2SC2412K/R/-X	TRANSISTOR				R 235	NRS181J-101X	MG RESISTOR		
	Q 131	2SC2412K/R/-X	TRANSISTOR				R 236	NRSA63J-102X	MG RESISTOR		
	Q 132	2SC2412K/R/-X	TRANSISTOR				R 241	NRSA63J-153X	MG RESISTOR		
	Q 151	2SC2412K/R/-X	TRANSISTOR				R 242	NRSA63J-153X	MG RESISTOR		
	Q 231	2SC2412K/R/-X	TRANSISTOR				R 243	NRSA63J-393X	MG RESISTOR		
	Q 232	2SC2412K/R/-X	TRANSISTOR				R 244	NRSA63J-393X	MG RESISTOR		
	Q 241	2SC2412K/R/-X	TRANSISTOR				R 245	NRS181J-123X	MG RESISTOR		
	Q 251	2SC2412K/R/-X	TRANSISTOR				R 246	NRSA63J-153X	MG RESISTOR		
	Q 301	2SD601A/R/-X	TRANSISTOR				R 247	NRSA63J-393X	MG RESISTOR		
	Q 302	2SD601A/R/-X	TRANSISTOR				R 251	NRSA63J-103X	MG RESISTOR		
	Q 303	DTC114EKA-X	TRANSISTOR				R 252	NRSA63J-223X	MG RESISTOR		
	Q 750	2SC2412K/R/-X	TRANSISTOR				R 253	NRSA63J-472X	MG RESISTOR		
	Q 891	UN2211-X	TRANSISTOR				R 301	NRSA63J-473X	MG RESISTOR		
	Q 951	DTA114EKA-X	TRANSISTOR				R 302	NRSA63J-473X	MG RESISTOR		
	Q 952	DTA114EKA-X	TRANSISTOR				R 303	NRSA63J-103X	MG RESISTOR		
	Q 962	2SB1322/RS/-T	TRANSISTOR				R 304	NRSA63J-222X	MG RESISTOR		
	Q 965	DTC114EKA-X	TRANSISTOR				R 305	NRSA63J-153X	MG RESISTOR		
	Q 966	DTC114EKA-X	TRANSISTOR				R 306	NRSA63J-471X	MG RESISTOR		
	Q 967	2SA1037AK/RS/-X	TRANSISTOR				R 307	NRSA63J-103X	MG RESISTOR		
	Q 978	DTC114EKA-X	TRANSISTOR				R 308	NRSA63J-473X	MG RESISTOR		
	Q 979	DTA114EKA-X	TRANSISTOR				R 701	NRSA63J-271X	MG RESISTOR		
	R 3	NRSA63J-472X	MG RESISTOR				R 702	NRS181J-271X	MG RESISTOR		
	R 4	NRSA63J-473X	MG RESISTOR				R 703	NRS181J-271X	MG RESISTOR		
	R 5	NRSA63J-332X	MG RESISTOR				R 704	NRSA63J-271X	MG RESISTOR		
	R 7	NRSA63J-473X	MG RESISTOR				R 705	NRSA63J-103X	MG RESISTOR		
	R 8	NRSA63J-472X	MG RESISTOR				R 706	NRSA63J-473X	MG RESISTOR		
	R 9	NRSA63J-102X	MG RESISTOR				R 707	NRS181J-473X	MG RESISTOR		
	R 10	NRSA63J-392X	MG RESISTOR				R 708	NRSA63J-104X	MG RESISTOR		
	R 12	NRSA63J-102X	MG RESISTOR				R 709	NRS181J-104X	MG RESISTOR		
	R 14	NRS181J-330X	MG RESISTOR				R 710	NRS181J-272X	MG RESISTOR		
	R 24	NRSA63J-102X	MG RESISTOR				R 711	NRSA63J-391X	MG RESISTOR		
	R 25	NRSA63J-102X	MG RESISTOR				R 712	NRS181J-103X	MG RESISTOR		
	R 26	NRSA63J-103X	MG RESISTOR				R 713	NRSA63J-103X	MG RESISTOR		
	R 27	NRSA63J-102X	MG RESISTOR				R 715	NRS181J-103X	MG RESISTOR		
	R 29	NRSA63J-152X	MG RESISTOR				R 716	NRS181J-103X	MG RESISTOR		
	R 30	NRS181J-120X	MG RESISTOR				R 717	NRS181J-103X	MG RESISTOR		
	R 32	NRSA63J-0R0X	MG RESISTOR				R 718	NRS181J-472X	MG RESISTOR		
	R 34	NRSA63J-223X	MG RESISTOR				R 719	NRSA63J-472X	MG RESISTOR		
	R 112	NRSA63J-223X	MG RESISTOR				R 720	NRSA63J-472X	MG RESISTOR		
	R 113	NRSA63J-222X	MG RESISTOR				R 721	NRS181J-472X	MG RESISTOR		
	R 115	NRS181J-334X	MG RESISTOR				R 722	NRSA63J-472X	MG RESISTOR		
	R 116	NRS181J-102X	MG RESISTOR				R 723	NRS181J-472X	MG RESISTOR		
	R 131	NRSA02J-222X	MG RESISTOR				R 724	NRS181J-472X	MG RESISTOR		

■ Electrical parts list (Main board)

Block No. 01

△	Item	Parts number	Parts name	Remarks	Area
	R 725	NRS181J-472X	MG RESISTOR		
	R 726	NRS181J-472X	MG RESISTOR		
	R 727	NRSA63J-472X	MG RESISTOR		
	R 732	NRS181J-473X	MG RESISTOR		
	R 733	NRSA63J-472X	MG RESISTOR		
	R 734	NRSA63J-472X	MG RESISTOR		
	R 736	NRSA63J-473X	MG RESISTOR		
	R 737	NRSA63J-473X	MG RESISTOR		
	R 738	NRS181J-473X	MG RESISTOR		
	R 739	NRSA63J-473X	MG RESISTOR		
	R 740	NRS181J-473X	MG RESISTOR		
	R 741	NRSA63J-473X	MG RESISTOR		
	R 743	NRSA63J-103X	MG RESISTOR		
	R 746	NRSA63J-473X	MG RESISTOR		
	R 748	NRSA63J-473X	MG RESISTOR		
	R 750	NRSA63J-243X	MG RESISTOR		
	R 752	NRSA63J-334X	MG RESISTOR		
	R 753	NRSA63J-223X	MG RESISTOR		
	R 754	NRSA63J-101X	MG RESISTOR		
	R 755	NRSA63J-103X	MG RESISTOR		
	R 756	NRSA63J-104X	MG RESISTOR		
	R 757	NRSA63J-104X	MG RESISTOR		
	R 758	NRSA63J-101X	MG RESISTOR		
	R 759	NRSA63J-334X	MG RESISTOR		
	R 761	NRSA63J-222X	MG RESISTOR		
	R 762	NRSA63J-222X	MG RESISTOR		
	R 763	NRSA63J-222X	MG RESISTOR		
	R 773	NRSA63J-473X	MG RESISTOR		
	R 891	NRSA63J-473X	MG RESISTOR		
	R 892	NRSA63J-102X	MG RESISTOR		
	R 911	NRSA63J-271X	MG RESISTOR		
	R 912	NRSA63J-271X	MG RESISTOR		
	R 913	NRS181J-100X	MG RESISTOR		
	R 941	NRSA63J-473X	MG RESISTOR		
	R 960	NRS181J-101X	MG RESISTOR		
	R 961	NRS181J-101X	MG RESISTOR		
	R 962	NRSA63J-103X	MG RESISTOR		
	R 963	NRS181J-472X	MG RESISTOR		
	R 969	NRSA63J-222X	MG RESISTOR		
	R 970	NRSA63J-473X	MG RESISTOR		
	R 974	NRS181J-123X	MG RESISTOR		
	R 975	QRE141J-243Y	C RESISTOR	24K 5% 1/4W	
	R 977	NRS181J-471X	MG RESISTOR		
	R 978	NRS181J-682X	MG RESISTOR		
	R 979	NRSA63J-103X	MG RESISTOR		
	R 980	NRSA63J-183X	MG RESISTOR		
	R 981	NRS181J-102X	MG RESISTOR		
	R 982	NRS181J-103X	MG RESISTOR		
	R 983	NRS181J-103X	MG RESISTOR		
	TU 1	QAU0222-001	TUNER		
	X 701	QAX0406-001Z	CRYSTAL		
	X 761	QAX0263-001Z	CRYSTAL		

■ Electrical parts list (Mecha control board)

Block No. 02

△	Item	Parts number	Parts name	Remarks	Area
	C 401	NDC31HJ-101X	C CAPACITOR		
	C 402	NDC31HJ-101X	C CAPACITOR		
	C 403	NDC31HJ-101X	C CAPACITOR		
	C 404	NDC31HJ-101X	C CAPACITOR		
	C 405	NDC31HJ-101X	C CAPACITOR		
	C 406	NDC31HJ-101X	C CAPACITOR		
	C 407	NDC31HJ-101X	C CAPACITOR		
	C 408	NDC31HJ-101X	C CAPACITOR		
	C 409	QEKJ1CM-226Z	E CAPACITOR	22MF 20% 16V	
	C 410	QFV61HJ-153Z	MF CAPACITOR	0.015MF 5% 50V	
	C 411	QFV61HJ-153Z	MF CAPACITOR	0.015MF 5% 50V	
	C 412	NCB31EK-104X	C CAPACITOR		
	C 413	NCB31EK-104X	C CAPACITOR		
	C 414	QEKJ1CM-226Z	E CAPACITOR	22MF 20% 16V	
	C 415	NCB31EK-103X	C CAPACITOR		
	C 418	NDC31HJ-221X	C CAPACITOR		
	C 419	QEKJ1HM-474Z	E CAPACITOR	0.47MF 20% 50V	
	C 421	NCB31HK-103X	C CAPACITOR		
	C 422	NCB31EK-104X	C CAPACITOR		
	C 423	QERF1CM-106Z	E CAPACITOR	10MF 20% 16V	
	C 424	NCB31EK-104X	C CAPACITOR		
	C 425	NCB31HK-103X	C CAPACITOR		
	CN401	QGB1214K1-18S	CONNECTOR		
	CN402	VMP3501-001	WIRE CONNECTOR		
	CN403	QGF1219F1-10S	CONNECTOR		
	D 401	MA3047/H-X	ZENER DIODE		
	D 402	DSK10C-T1	DIODE		
	IC401	CXA2559Q	IC		
	IC402	LB1641	IC		
	Q 402	DTC114EKA-X	TRANSISTOR		
	Q 403	2SB1322/RS-T	TRANSISTOR		
	R 401	NRS181J-391X	MG RESISTOR		
	R 402	NRSA63J-104X	MG RESISTOR		
	R 403	NRSA63J-104X	MG RESISTOR		
	R 404	NRSA63J-104X	MG RESISTOR		
	R 405	NRSA63J-104X	MG RESISTOR		
	R 406	NRSA63J-181X	MG RESISTOR		
	R 407	NRSA63J-181X	MG RESISTOR		
	R 408	NRSA63J-123X	MG RESISTOR		
	R 409	NRSA63J-243X	MG RESISTOR		
	R 410	NRSA63J-243X	MG RESISTOR		
	R 411	NRSA63J-123X	MG RESISTOR		
	R 412	NRSA02J-101X	MG RESISTOR		
	R 413	NRSA63J-183X	MG RESISTOR		
	R 414	NRSA63J-392X	MG RESISTOR		
	R 415	NRSA63J-223X	MG RESISTOR		
	R 416	NRSA63J-914X	MG RESISTOR		
	R 417	NRSA63J-103X	MG RESISTOR		
	R 418	NRSA63J-153X	MG RESISTOR		
	R 422	NRSA02J-332X	MG RESISTOR		
	R 423	NRS181J-473X	MG RESISTOR		
	R 424	NRSA02J-332X	MG RESISTOR		
	R 425	NRS181J-330X	MG RESISTOR		

■ Electrical parts list (Front board)

Block No. 03

△	Item	Parts number	Parts name	Remarks	Area
	C 651	NCB31HK-103X	C CAPACITOR		
	C 652	NBE20JM-475X	TS E CAPACITOR		
	C 653	NCB21HK-681X	C CAPACITOR		
	CP701	VMC0335-001	CONNECTOR		
	D 601	SML-310LT/MN/-X	LED		
	D 602	SML-310VT/JK/-X	LED		
	D 603	SML-310VT/JK/-X	LED		
	D 604	SML-310VT/JK/-X	LED		
	D 605	SML-310VT/JK/-X	LED		
	D 606	SML-310VT/JK/-X	LED		
	D 607	SML-310VT/JK/-X	LED		
	D 608	SML-310VT/JK/-X	LED		
	D 609	SML-310VT/JK/-X	LED		
	D 610	SML-310VT/JK/-X	LED		
	D 611	LNJ308G81/1-3/X	LED		
	D 612	SML-310VT/JK/-X	LED		
	D 614	SML-310VT/JK/-X	LED		
	D 615	SML-310VT/JK/-X	LED		
	D 616	SML-310VT/JK/-X	LED		
	D 617	SML-310VT/JK/-X	LED		
	D 618	SML-310VT/JK/-X	LED		
	D 619	SML-310VT/JK/-X	LED		
	D 620	SML-310VT/JK/-X	LED		
	D 621	SML-310VT/JK/-X	LED		
	D 622	SML-310VT/JK/-X	LED		
	D 623	SML-310VT/JK/-X	LED		
	D 625	SML-310VT/JK/-X	LED		
	D 626	SML-310VT/JK/-X	LED		
	D 627	SML-310VT/JK/-X	LED		
	D 652	MA152WA-X	DIODE		
	D 653	MA152WA-X	DIODE		
	D 654	MA152WK-X	SI DIODE		
	D 655	MA152WK-X	SI DIODE		
	IC651	LC75823W	IC		
	JS601	QSW0793-001	ROTARY ENCODER		
	PL601	QLL0033-003	LAMP		
	PL603	QLL0033-003	LAMP		
	R 601	NRSA63J-561X	MG RESISTOR		
	R 602	NRSA63J-821X	MG RESISTOR		
	R 603	NRSA63J-122X	MG RESISTOR		
	R 604	NRSA63J-182X	MG RESISTOR		
	R 605	NRSA63J-272X	MG RESISTOR		
	R 606	NRSA63J-392X	MG RESISTOR		
	R 607	NRSA63J-561X	MG RESISTOR		
	R 608	NRSA63J-821X	MG RESISTOR		
	R 609	NRSA63J-122X	MG RESISTOR		
	R 610	NRSA63J-182X	MG RESISTOR		
	R 611	NRSA63J-272X	MG RESISTOR		
	R 612	NRSA63J-392X	MG RESISTOR		
	R 613	NRSA63J-561X	MG RESISTOR		
	R 614	NRSA63J-821X	MG RESISTOR		
	R 615	NRSA63J-122X	MG RESISTOR		
	R 616	NRSA63J-182X	MG RESISTOR		
	R 617	NRSA63J-272X	MG RESISTOR		
	R 631	NRSA63J-821X	MG RESISTOR		
	R 633	NRSA02J-391X	MG RESISTOR		
	R 634	NRSA02J-102X	MG RESISTOR		
	R 635	NRSA63J-681X	MG RESISTOR		
	R 636	NRSA63J-271X	MG RESISTOR		
	R 637	NRSA02J-271X	MG RESISTOR		
	R 638	NRSA63J-271X	MG RESISTOR		
	R 639	NRSA02J-471X	MG RESISTOR		
	R 640	NRSA63J-821X	MG RESISTOR		

△	Item	Parts number	Parts name	Remarks	Area
	R 641	NRSA02J-821X	MG RESISTOR		
	R 651	NRSA63J-152X	MG RESISTOR		
	R 652	NRSA02J-473X	MG RESISTOR		
	R 653	NRSA63J-184X	MG RESISTOR		
	R 654	NRSA63J-103X	MG RESISTOR		
	R 655	NRSA63J-103X	MG RESISTOR		
	R 656	NRSA63J-103X	MG RESISTOR		
	R 663	NRSA63J-101X	MG RESISTOR		
	S 601	NSW0066-001X	TACT SWITCH		
	S 602	NSW0066-001X	TACT SWITCH		
	S 603	NSW0066-001X	TACT SWITCH		
	S 604	NSW0066-001X	TACT SWITCH		
	S 605	NSW0066-001X	TACT SWITCH		
	S 606	NSW0066-001X	TACT SWITCH		
	S 607	NSW0066-001X	TACT SWITCH		
	S 608	NSW0066-001X	TACT SWITCH		
	S 609	NSW0066-001X	TACT SWITCH		
	S 610	NSW0066-001X	TACT SWITCH		
	S 611	NSW0066-001X	TACT SWITCH		
	S 612	NSW0066-001X	TACT SWITCH		
	S 613	NSW0066-001X	TACT SWITCH		
	S 614	NSW0066-001X	TACT SWITCH		
	S 615	NSW0066-001X	TACT SWITCH		
	S 616	NSW0066-001X	TACT SWITCH		
	S 617	NSW0066-001X	TACT SWITCH		
	S 618	NSW0066-001X	TACT SWITCH		
	S 619	NSW0066-001X	TACT SWITCH		
	S 620	NSW0066-001X	TACT SWITCH		

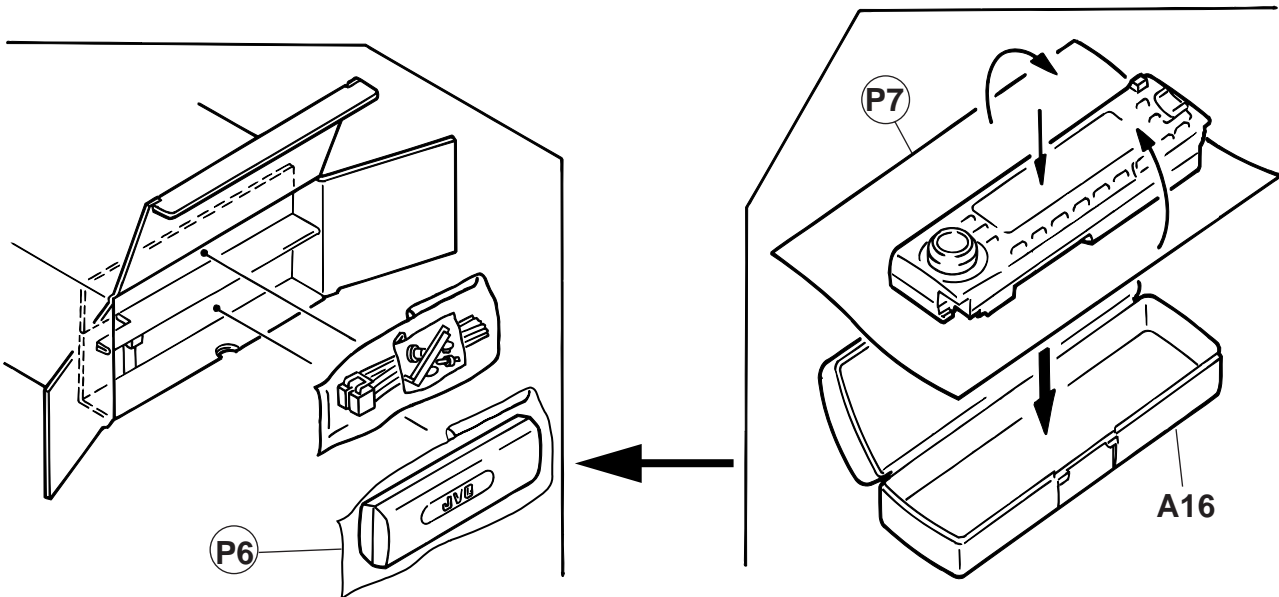
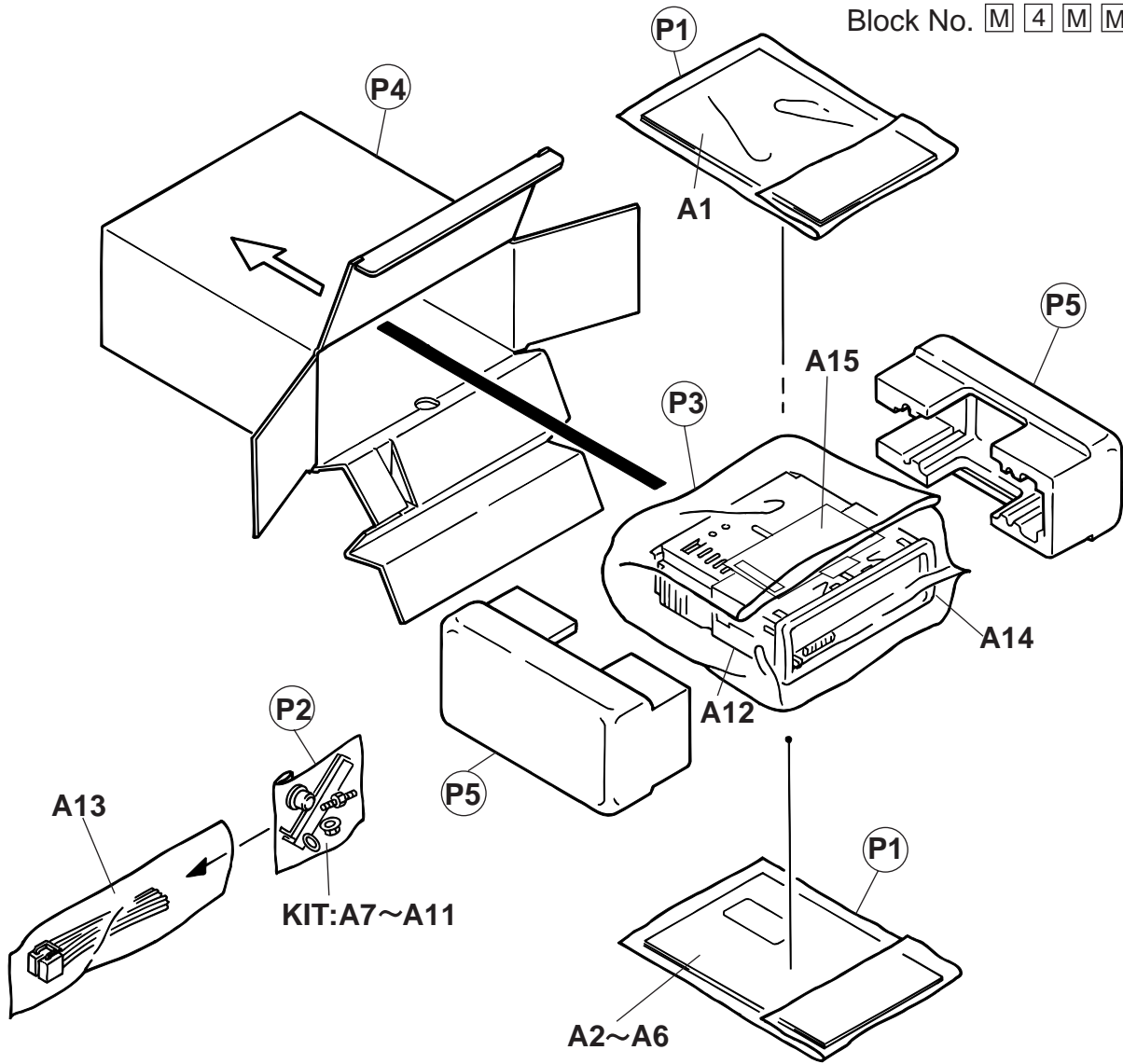
# Packing materials and accessories parts list

Block No. 

M	3	M	M
---	---	---	---

Block No. 

M	4	M	M
---	---	---	---



**Parts list (Packing)**

Block No. M3MM

△	Item	Parts number	Parts name	Q'ty	Description	Area
	P 1	FSPG4002-001	POLY BAG	2	INSTRUCTIONS	
	P 2	QPA00801205	POLY BAG	1	KIT	
	P 3	QPC03004315P	POLY BAG	1	SET	
	P 4	GE30123-005A	CARTON	1		
	P 5	GE10007-001A	PAPER CUSHION	2	LEFT/RIGHT SIDE	
	P 6	QPA01003003	POLY BAG	1	HARD CASE	
	P 7	FSYH4036-068	SHEET	1		

**Parts list (Accessories)**

Block No. M4MM

△	Item	Parts number	Parts name	Q'ty	Description	Area
	A 1	GET0010-001A	INSTRUCTIONS	1	ENG,GER,FRE,DUT	
	A 2	GET0010-002A	INSTRUCTIONS	1	SPA,ITA,SWE,FIN	
	A 3	GET0010-003A	INSTALL MANUAL	1	ENG,GER,FRE	
		GET0010-004A	INSTALL MANUAL	1	DUT,SPA,ITA	
		GET0010-005A	INSTALL MANUAL	1	SWE,FIN	
	A 4	BT-54013-1	WARRANTY CARD	1		
	A 5	VND3046-001	SERIAL TICKET	1		
	A 6	VND3050-002	IDENTITY CARD	1		
	A 7	VKH4871-001SS	MOUNT BOLT	1		
	A 8	VKZ4328-001	LOCK NUT	1	FOR M5	
	A 9	WNS5000Z	WASHER	1		
	A 10	FSKL4010-002	HOOK	2		
	A 11	VKZ4027-202	PLUG NUT	1		
	A 12	FSKM2004-202	MOUNTING SLEEVE	1		
	A 13	QAM0175-001	POWER CORD	1		
	A 14	FSJD2034-001	TRIM PLATE	1		
	A 15	LV40978-001A	CAUTION SHEET	1		
	A 16	FSJB3001-30C	HARD CASE	1		
	KIT	KDGS717K-SCREW1	SCREW PARTS KIT	1	A7-A11	